

Code	48TOP142A1U	Uses	Household
Family	TOP 4-5		
Group	Clear water drainage		
Typology	Submersible		

Application limits

Liquid Type	Clear Water
Minimum liquid temperature	0 °C
Maximum liquid temperature	40 °C
Maximum Chlorine Content	- ppm
Maximum Sand Content	- ppm
Manometric suction lift	0 m
Maximum immersion depth	5.00 m
Maximum Ambient Temperature	- °C
Minimum Ambient Temperature	- °C
Maximum Working Pressure	- bar

Duty Point

Flow rate (actual)	0.000 l/min
Head (actual)	0.000 m

Pump nameplate data

Flow rate	20 - 320 l/min
Head	12.5 - 2 m
Maximum head	12.9 m
Minimum head	2 m
Minimum Efficiency Index	-

Motor nameplate data

Voltage	220-240 V
Phases	1
Frequency	50 Hz
Rotation Speed	2900 rpm
Rated output power	0.75 kW
Rated Current	4.5 A
Input power P1	1.00 kW
Efficiency grade	Undefined
Capacitor	16 µF
Capacitor Voltage	450 V
Insulation Class	F
Enclosure class IP	X8

Construction and safety standards

The pumps are complete with:

- 10 m long power cable
- float switch

EN 60335-1, IEC 60335-1
EN 60034-1, IEC 60034-1

Connections

Type of connection	Gas threaded
Size of suction connection	-
Size of delivery connection	1 1/2"

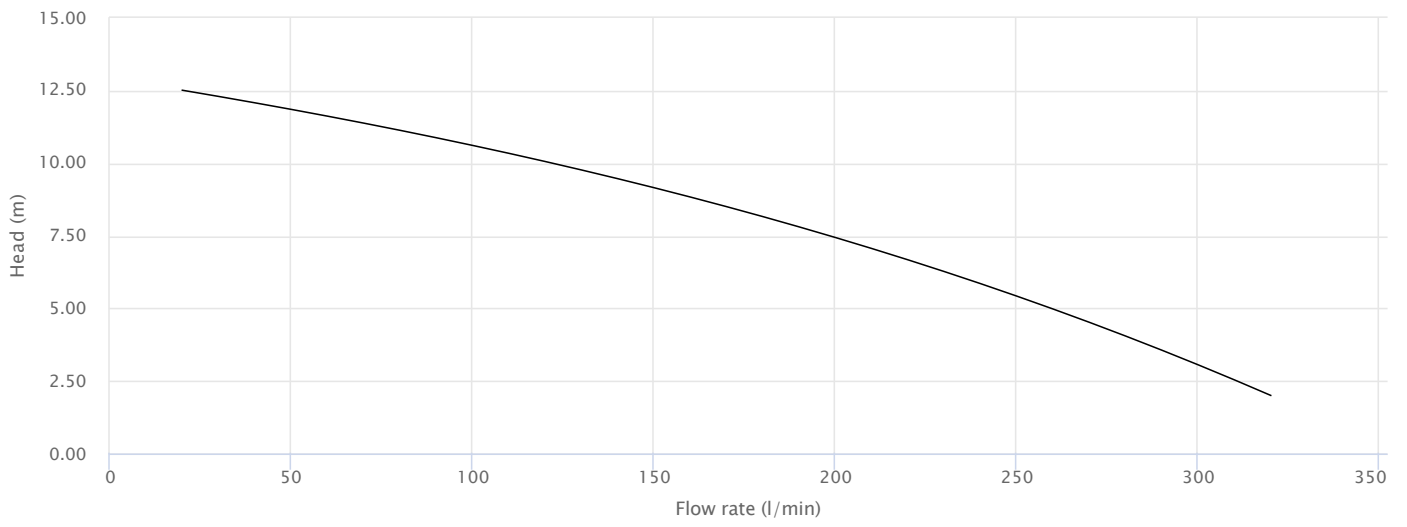
Input Data

Rated flow rate (requested)	0.000 l/min
Rated head (requested)	0.000 m
System geodetic head	0.000 m
System friction losses	0.000 m
NPSH Available	0.000 m
Liquid	Water
Temperature	20 °C
Density	998.1 kg/m ³
Kinematic Viscosity	1.00 mm ² /s
Vapour Pressure	2,318 Pa

Other Pump Data

Max Sound Pressure Level (1 m)	- dBA
Horizontal installation	No
Solids free passage	10.00 mm

Performance



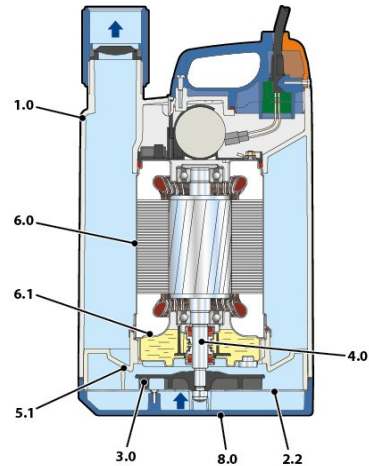
Construction

Bearings

Motor bearing - pump side	6203 ZZ
Motor bearing - opposite side	6203 ZZ

Shaft Seal

Seal Type	Double mechanical seal in an oil chamber
Diameter MS	14
Stationary Ring MS	Silicon Carbide
Rotating Ring MS	Graphite
Elastomer MS	NBR
Reducer DN1=450 DN2=350	MG1-14D SIC
Diameter PS	14
Stationary Ring PS	Silicon Carbide
Rotating Ring PS	Silicon Carbide
Elastomer PS	NBR



Materials

1.0 - Pump casing	Reinforced technopolymer
2.2 - Suction Cover	Stainless steel EN 1.4301 (AISI 304)
3.0 - Impeller	Reinforced technopolymer
4.0 - Pump Shaft	Stainless steel EN 1.4057 (AISI 431)
5.1 - Diffuser	Reinforced technopolymer
6.0 - Motor casing	Stainless steel EN 1.4301 (AISI 304)
6.1 - Motor Cover	Stainless steel EN 1.4301 (AISI 304)
8.0 - Suction Strainer/Filter	Reinforced technopolymer

Dimensions

DN2	a	d	h	h1	p	x	Kg
	[mm]						
1 1/2"	204	30	337	313	450	450	10.3

